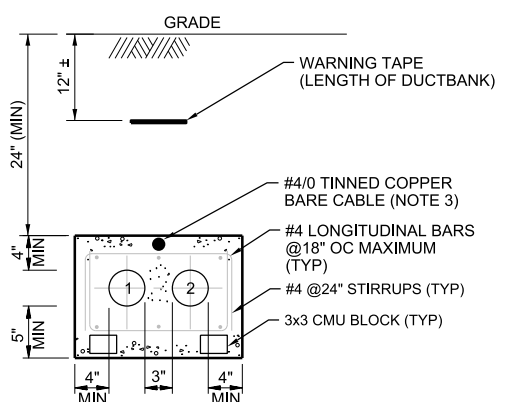


KEYED NOTES:

1 CAST-IN-PLACE TIN-PLATED COPPER GROUND PLATE (2-HOLE, #4/0 LUG). COORDINATE WITH GENERATOR MANUFACTURER AND APPROVED SHOP DRAWING FOR OPTIMAL LOCATION OF GROUND PLATE SUCH THAT LENGTH OF GROUND CABLE FROM GROUND PLATE TO EQUIPMENT GROUND LUG SHALL BE LESS THAN 2'-0".

2 GENERATOR POWER AND CONTROL PANEL INSIDE THE GENERATOR ENCLOSURE. VERIFY EXACT CONDUIT STUB-UP LOCATION WITH APPROVED GENERATOR SHOP DRAWING PRIOR TO CONDUIT INSTALLATION.

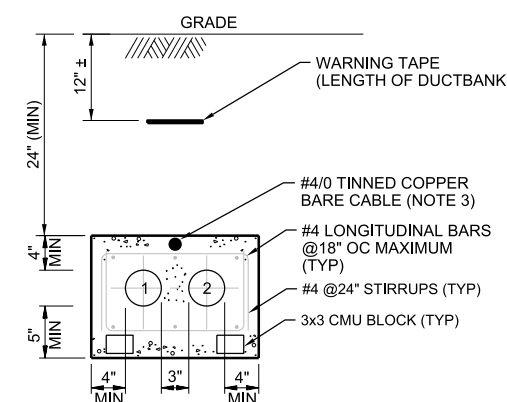
GENERATOR GROUNDING PLAN
1/2"=1'-0"



A UNDERGROUND DUCTBANK
NTS

- NOTES:** 300-E-1
- PROVIDE 6" MINIMUM COMPACTED GRAVEL, 3/4" MINUS, UNDER CONCRETE ENCASED DUCTBANK
 - ENCASED DUCTS SHALL BE PVC WITH PVC COATED RIGID ALUMINUM ELBOWS AS NEEDED. REF SPEC SECTION 26 05 33.
 - BOND THE DUCTBANK GROUND CONDUCTOR AS FOLLOWS:
 - TO STRUCTURAL SUPPORT AT WATER TANK
 - TO GROUNDING COUNTERPOISE AT BLDG
 - PROVIDE PREBENT STIRRUPS AS SHOWN. FIELD BENDING WILL NOT BE PERMITTED.
 - PROVIDE 3x3 CMU BLOCK UNDER EVERY THIRD STIRRUP TO HOLD REBARS OUT OF THE DIRT, AND TO ENSURE COMPLETE ENCASEMENT WITH A 3-INCH ENVELOPE OF CONCRETE ON THE BOTTOM.

1	2"	480V POWER FROM EMCC-1 TO 5KVA MINI-POWER CENTER
2	2"	SPARE



B UNDERGROUND DUCTBANK
NTS

- NOTES:** 300-E-1
- PROVIDE 6" MINIMUM COMPACTED GRAVEL, 3/4" MINUS, UNDER CONCRETE ENCASED DUCTBANK
 - ENCASED DUCTS SHALL BE PVC WITH PVC COATED RIGID ALUMINUM ELBOWS AS NEEDED. REF SPEC SECTION 26 05 33.
 - BOND THE DUCTBANK GROUND CONDUCTOR AS FOLLOWS:
 - TO GROUNDING COUNTERPOISE AT GENERATOR
 - TO GROUNDING COUNTERPOISE AT BLDG
 - PROVIDE PREBENT STIRRUPS AS SHOWN. FIELD BENDING WILL NOT BE PERMITTED.
 - PROVIDE 3x3 CMU BLOCK UNDER EVERY THIRD STIRRUP TO HOLD REBARS OUT OF THE DIRT, AND TO ENSURE COMPLETE ENCASEMENT WITH A 3-INCH ENVELOPE OF CONCRETE ON THE BOTTOM.

1	4"	480V POWER FROM GENERATOR TO ATS-1
2	4"	SPARE

NO.	DATE	DR	CHK	APVD	SHO

CH2M Hill Engineers, Inc.
TBPE FIRM NO. 3699

Wastewater Treatment Plant
Water Treatment Plant and Prison Lift Station
Improvements
City of Pampa, Texas

ch2m

WTP ELECTRICAL
**GENERATOR PLAN
AND SECTIONS**

AS NOTED
VERIFY SCALE
BAR IS ONE INCH ON ORIGINAL DRAWING.
DATE MARCH 2016
PROJ 659681
DWG 300-E-6
SHEET 88 of 125