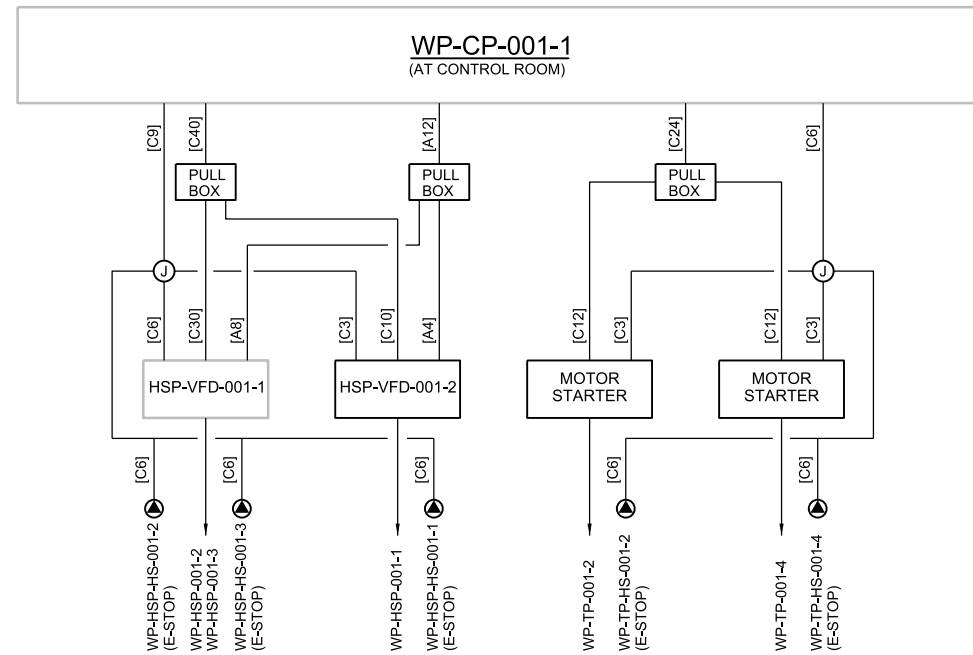


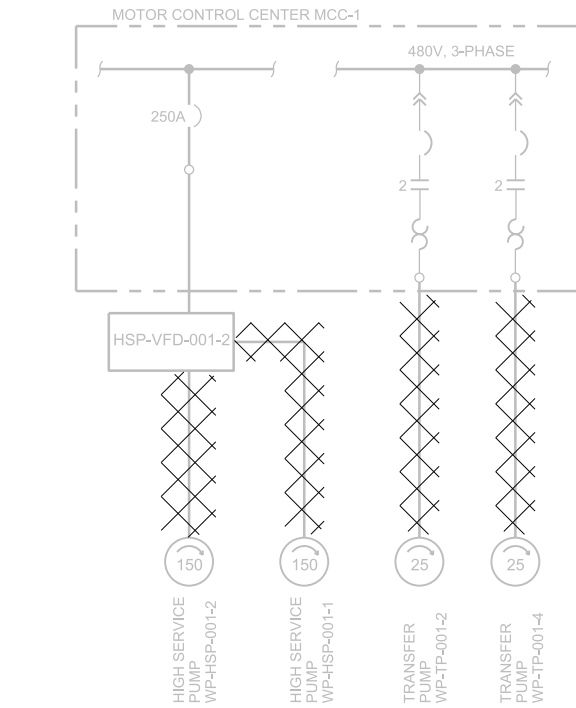
A
B
C
D



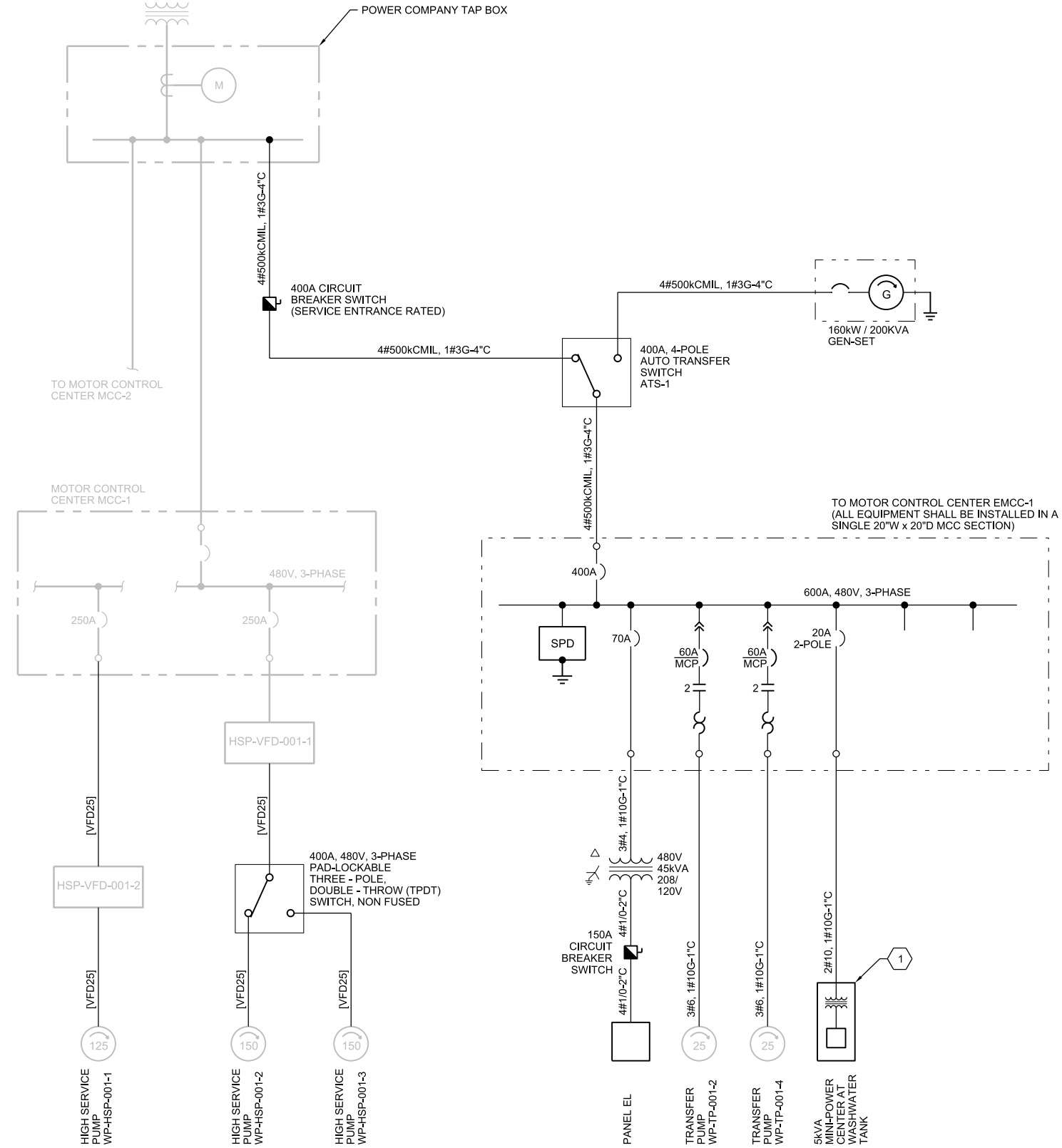
INTERCONNECTING CONTROL WIRING SCHEMATIC

NOTES:

- REF DWG 300-I-1 FOR EXACT CONTROL WIRING REQUIREMENTS.
- ANY SPARE CONDUCTORS SHALL BE COILED UP AND TAPED OFF AT BOTH THE CONTROL PANEL AND AT THE MOTOR CONTROL EQUIPMENT. MINIMUM LENGTH OF SPARE CONDUCTORS AT EACH LOCATION SHALL BE 20 FEET.



ONE LINE DIAGRAM - DEMOLITION



ONE LINE DIAGRAM

KEYED NOTES:

- 5kVA, 480V TO 240/120V, 1-PHASE MINI-POWER CENTER WITH TEN (10) 1-POLE, 20A BOLT-ON BRANCH CIRCUIT BREAKERS. ENCLOSURE SHALL BE NEMA 3R STAINLESS STEEL.
- COIL AND TAPE OFF 20 FEET OF 20#12 CABLE IN BOTH THE RESPECTIVE VFDs AND IN CONTROL PANEL WP-CP-001-1.
- COIL AND TAPE OFF 20 FEET OF 6 TYPE 3 CABLES IN BOTH THE RESPECTIVE VFDs AND IN CONTROL PANEL WP-CP-001-1.

NO.	DATE	DR	REVISION	BY	APVD	S HO
			CHK	G MORAN	J OCONNOR	S HO

CH2M Hill Engineers, Inc.
TBPE FIRM NO. 3699

Wastewater Treatment Plant
Water Treatment Plant and Prison Lift Station Improvements
City of Pampa, Texas

ch2m

WTP ELECTRICAL

ONE LINE DIAGRAM AND WIRING SCHEMATIC

NTS

VERIFY SCALE

BAR IS ONE INCH ON ORIGINAL DRAWING.

DATE MARCH 2016

PROJ 659681

DWG 300-E-4

SHEET 86 of 125

DATE	MARCH 2016
PROJ	659681
DWG	300-E-4
SHEET	86 of 125